

METHVEN

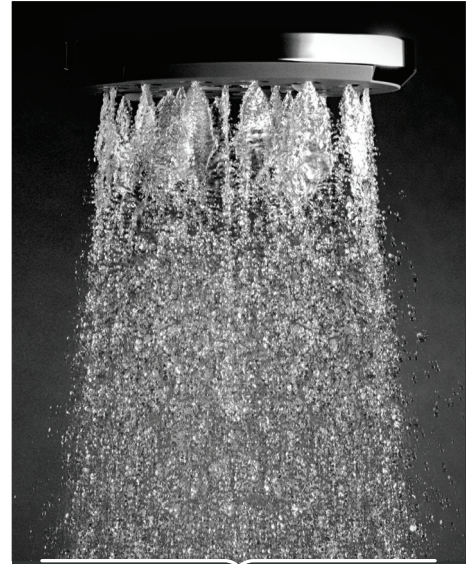
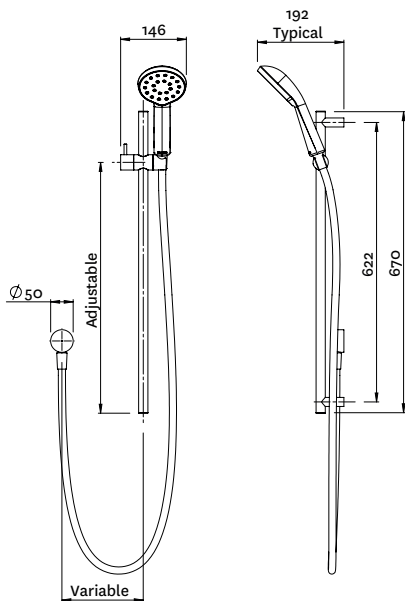
Satinjet®



Kiri

Satinjet®

KIRI II RAIL SHOWER



Satinjet®. The unmistakable feeling of 300,000 droplets per second.

Unlike conventional showers, Satinjet uses unique twin-jet technology to create optimum water droplet size and pressure, with over 300,000 droplets per second providing greater warmth and coverage. The result is an immersive, full-body experience.

CONSTRUCTION: Chrome-plated rail

CLASSIFICATION: Suitable for **all pressure** systems

INLET CONNECTIONS: 1/2" BSP Female

WORKING PRESSURE: 35 - 500kPa

DIMENSIONS FOR FITTING: 670mm rail

OPERATING TEMPERATURE: 5 °C - 70 °C

- Low maintenance single function shower
- Adjustable friction slider
- Easy clean faceplate and wide smooth skin hose
- 3 star WELS rated on mains pressure (8.0 l/m)
- 3 star WELS rated on low pressure (9.0 l/m)

KRSRCPGR

Graphite faceplate