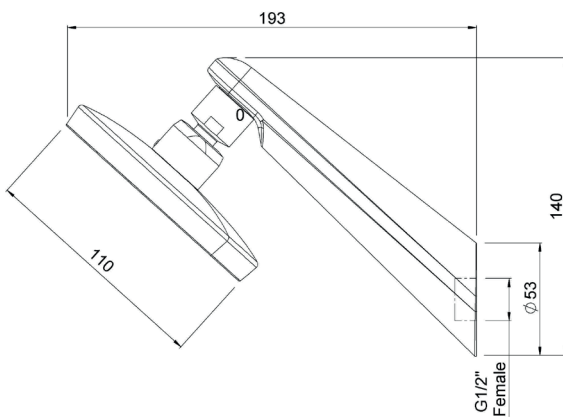


Satinjet®

KIRI II WALL SHOWER ON UPSWEPT ARM



Satinjet®. The unmistakable feeling of 300,000 droplets per second.

Unlike conventional showers, Satinjet uses unique twin-jet technology to create optimum water droplet size and pressure, with over 300,000 droplets per second providing greater warmth and coverage. The result is an immersive, full-body experience.

CONSTRUCTION: Brass arm

CLASSIFICATION: Suitable for **all pressure** systems

INLET CONNECTIONS: 1/2" BSP Female

WORKING PRESSURE: 35 - 500kPa

OPERATING TEMPERATURE: 5 °C - 70 °C

- Low maintenance single function Satinjet® shower
- Easy clean coating on faceplate
- Stylish and durable brass upswept arm for extra height
- Optimized at 9.0 l/pm
- 3 star WELS rated on mains pressure (8.5 l/m)
- 2 star WELS rated on low pressure (10.0 l/m)

KRUACPGR

Graphite faceplate

<http://www.methven.com/nz/kiri-satinjet-wall-shower-on-upswept-arm>