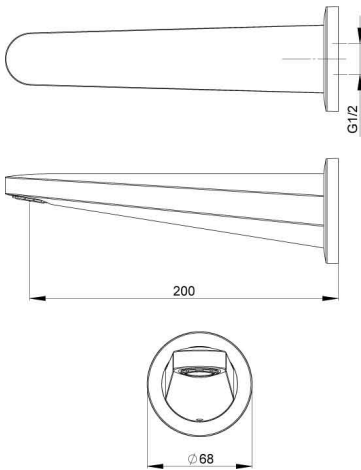


KOHA WALL MOUNTED SPOUT



CONSTRUCTION: Brass body

PROJECTION: 200mm

CLASSIFICATION: Suitable for all pressure systems

PIPE CONNECTION: 1/2" BSP Female

WORKING PRESSURE: above 35 kPa

OPERATING TEMPERATURE: 5 °C - 80 °C

- Slim stream shaper aerator
- Spout projection of 200mm
- Quickfit adaptor for hassle free installation of spout