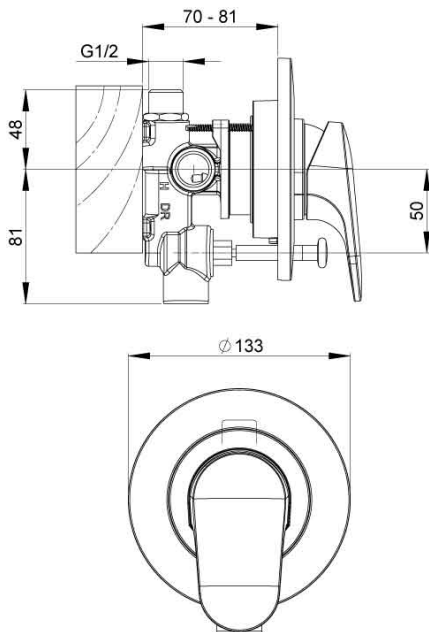


KOHA SHOWER MIXER



CONSTRUCTION: Brass body

CARTRIDGE TYPE: Ceramic (SP033510)

CLASSIFICATION: Suitable for mains pressure only

INLET CONNECTIONS: 1/2" BSP

WORKING PRESSURE: 150 - 1000kPa

DIMENSIONS FOR FITTING:

OPERATING TEMPERATURE: 5 °C - 80 °C

- Large 133mm diameter metal faceplate
- Positive seal between the faceplate and the body
- Plunger diverter located under the handle to preserve clean design lines
- Diverter defaults to spout
- Concealed screws to positively fasten faceplate
- Non-return and flow restrictor in shower outlet
- Incorporates brass feet for ease of installation