

METHVEN

Satinjet®



Koha

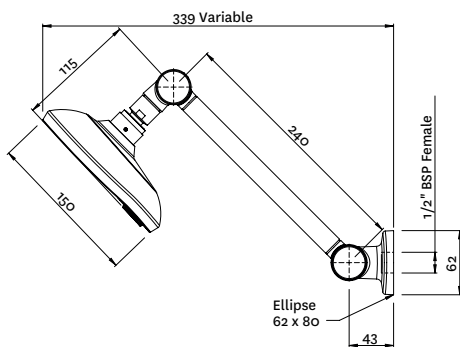
Satinjet®

KOHA II HI RISE



Satinjet®. The unmistakable feeling of 300,000 droplets per second.

Unlike conventional showers, Satinjet uses unique twin-jet technology to create optimum water droplet size and pressure, with over 300,000 droplets per second providing greater warmth and coverage. The result is an immersive, full-body experience.



CONSTRUCTION: Brass arm

CLASSIFICATION: Suitable for all pressure systems

INLET CONNECTIONS: 1/2" BSP Female

WORKING PRESSURE: 35 - 500kPa

OPERATING TEMPERATURE: 5 °C - 70 °C

- Two function wall shower with Satinjet® spray and massage spray
- Large 135mm diameter for wide coverage
- Easy clean coating on faceplate
- Stylish and durable, height adjustable, hi rise arm that will never droop or leak
- Easy positioning with just one hand, no tightening required
- Easy operation spray function selector switch on faceplate
- Use of pressure limiting valve is recommended if supply exceeds 500 kPa
- 3 star WELS rated on mains pressure (9.0 l/m) 12.0 l/m option also supplied
- 3 star WELS rated on low pressure (8.0 l/m)