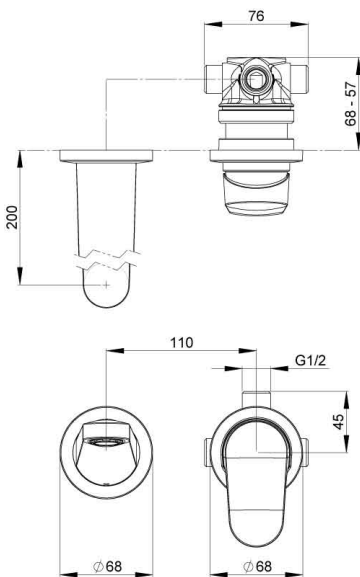


## KIRI WALL MOUNTED MIXER



**CONSTRUCTION:** Brass body

**CARTRIDGE:** Ceramic (SP033510)

**CLASSIFICATION:** Suitable for **mains pressure only**

**PIPE CONNECTION:** 1/2" BSP Male

**WORKING PRESSURE:** 150 - 1000kPa

**FLOW RATE:** 6.5 l/pm

**OPERATING TEMPERATURE:** 5 °C - 80 °C

- Metal wall ring
- Slim stream shaper aerator
- Spout projection of 200mm
- Quickfit adaptor for hassle free installation of spout
- 4 star WELS rated on mains pressure (6.5 l/pm)