

METHVEN

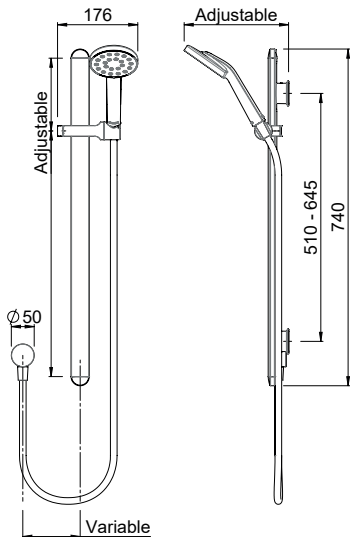
Satinjet®



Maku

Satinjet®

MAKU MK2 RAIL SHOWER



Satinjet®. The unmistakable feeling of 300,000 droplets per second.

Unlike conventional showers, Satinjet uses unique twin-jet technology to create optimum water droplet size and pressure, with over 300,000 droplets per second providing greater warmth and coverage. The result is an immersive, full-body experience.

CONSTRUCTION: Chrome-plated rail

CLASSIFICATION: Suitable for all pressure systems

INLET CONNECTIONS: 1/2" BSP female

WORKING PRESSURES: 35 - 500kPa

DIMENSIONS FOR FITTING: 510 - 645mm retro-fit pitch

OPERATING TEMPERATURE: 5 °C - 70 °C

WATER FLOW RATE: 9.0 L/min

- Low maintenance Satinjet single function shower
- Rail length 740mm with adjustable pillars for an easy retro-fit
- Wide spray coverage
- Adjustable friction slider
- Soap dish included
- 3 star WELS rated on mains pressure (9.0 L/min)
- 3 star WELS rated on low pressure (9.0 L/min)