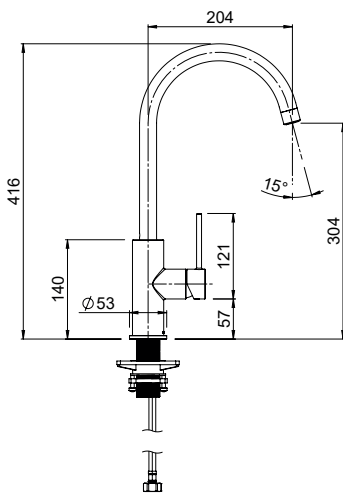


METHVEN

MINIMALIST MK2



MINIMALIST MK2 GOOSENECK SINK MIXER



CONSTRUCTION: Brass

CLASSIFICATION: Suitable for **mains/high pressure** only

INLET CONNECTIONS: 1/2" BSP female

OUTLET CONNECTION: N/A

WORKING PRESSURES: 35kPa - 1000kPa

DIMENSIONS FOR FITTING: Bench top hole 35mm. Bench thickness 42mm max.

OPERATING TEMPERATURE: 5°C - 80°C

WATER FLOW RATE: approx 7.5 L/min

- Durable brass body construction
- Suitable for water pressure between 150-500 kpa
- Ceramic disc cartridge ensuring durability and no-drip water efficiency
- Optional Low Pressure aerator kit provided (*5 Star, 5.0L/Min, LP*)
- A cold inlet adapter is supplied to be used in conjunction with the Low Pressure aerator for unequal pressure applications
- 4 star WELS rated on mains pressure (*7.5 L/min*)

MNKGNC

Chrome

MNKGNBK

Matte Black

MNKGNNK

Brushed Nickel

THE METHVEN GUARANTEE. For total peace of mind, all domestic tapware products include a 20 Year Parts and Labour Guarantee. For commercial installations, a 5 Year Guarantee on Parts and Labour applies. For full terms and conditions, visit www.methven.com.