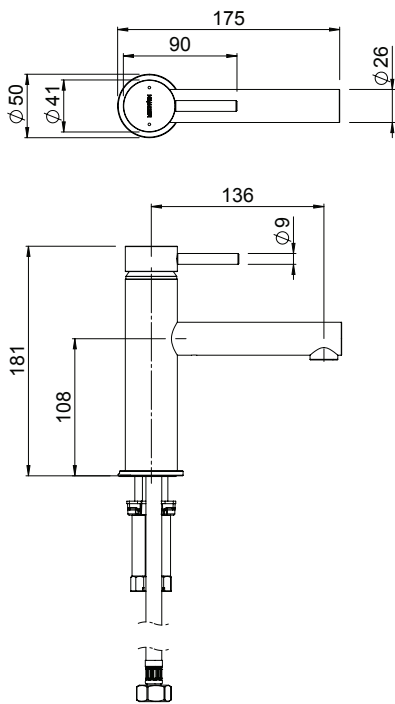


TŪROA BASIN MIXER

STAINLESS STEEL AND LEAD FREE BRASS

These high quality, high strength, corrosion resistant materials are lead free, preserving water quality for both consumption and bathing.



CONSTRUCTION: Stainless steel, brass and plastic
CARTRIDGE TYPE: Ceramic
CLASSIFICATION: Suitable for mains/high pressure only
INLET CONNECTIONS: 1/2" BSP Female
WORKING PRESSURE: 150 - 1000kPa
DIMENSIONS FOR FITTING: Ø35-38mm hole, max 60mm depth
OPERATING TEMPERATURE: 5 °C - 80 °C
WATER FLOW RATE: approx. 3.5L/min

- 304 Grade Stainless steel, and lead free brass
- Modern minimalist aesthetic
- Ceramic cartridge
- Stainless steel braided hoses
- Twin stud clamp kit
- Durable PVD finish
- 20 year warranty (product & PVD finish)
- 6 star WELS rated on mains pressure (3.5 L/min)

TUBSS	Stainless Steel
TUBGM	Brushed Gun Metal Black
TUBGD	Brushed Gold
TUBGR	Brushed Graphite