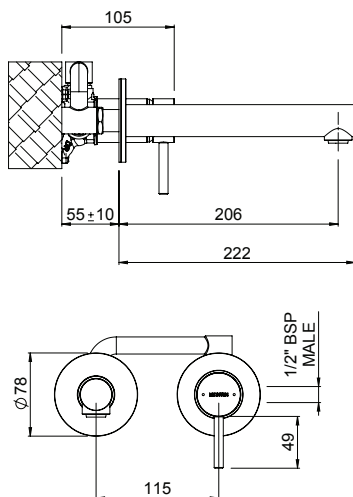


## TŪROA WALL MOUNTED MIXER WITH SPOUT

### STAINLESS STEEL AND LEAD FREE BRASS

These high quality, high strength, corrosion resistant materials are lead free, therefore preserving water quality for both consumption and bathing.



**CONSTRUCTION:** Stainless steel, brass and plastic

**CARTRIDGE TYPE:** Ceramic

**CLASSIFICATION:** Suitable for mains/high pressure only

**INLET CONNECTIONS:** 1/2" BSP Male

**WORKING PRESSURE:** 150 - 1000kPa

**OPERATING TEMPERATURE:** 5 °C - 80 °C

**WATER FLOW RATE:** Basin: approx 6.5L/min; Bath: Unrestricted

- Stainless steel and lead free brass
- Modern minimalist aesthetic
- Ceramic cartridge
- 20mm of installation tolerance
- Quick-fit spout connector
- Built to last
- 4 star WELS rated on mains pressure (6.5 L/min)