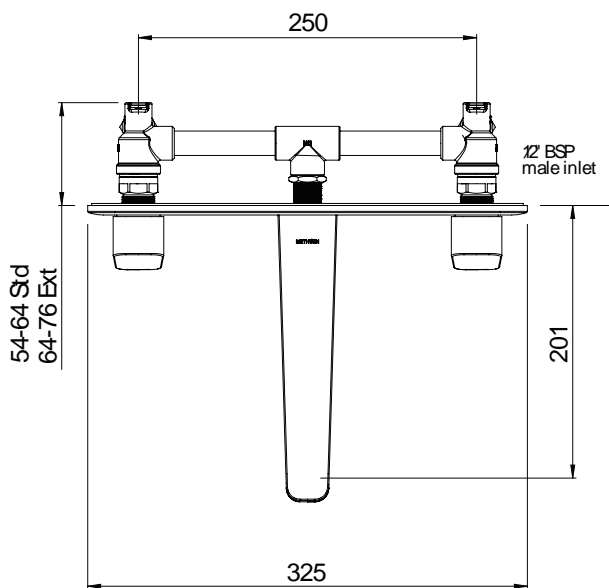


WAIPORI WALL BATH FAUCET



CONSTRUCTION: Brass body

CARTRIDGE: 15 mm ¼ turn ceramic disc

CLASSIFICATION: Suitable for **all pressure** systems

PIPE CONNECTION: 1/2" BSP Male

WORKING PRESSURE: 35 - 1000kPa

DIMENSIONS FOR FITTING: 200mm centre projection

OPERATING TEMPERATURE: 5 °C - 80 °C

- Metal faceplate
- Slim stream shape aerator with directional swivel
- DR brass body for greater durability and safe water
- Spindle extensions provided for greater installation tolerance
- Incorporates brass feet for ease of installation
- 4 stars WELS rated on mains pressure (7.0 l/pm)
- 4 stars WELS rated on low pressure (6.5 l/pm)