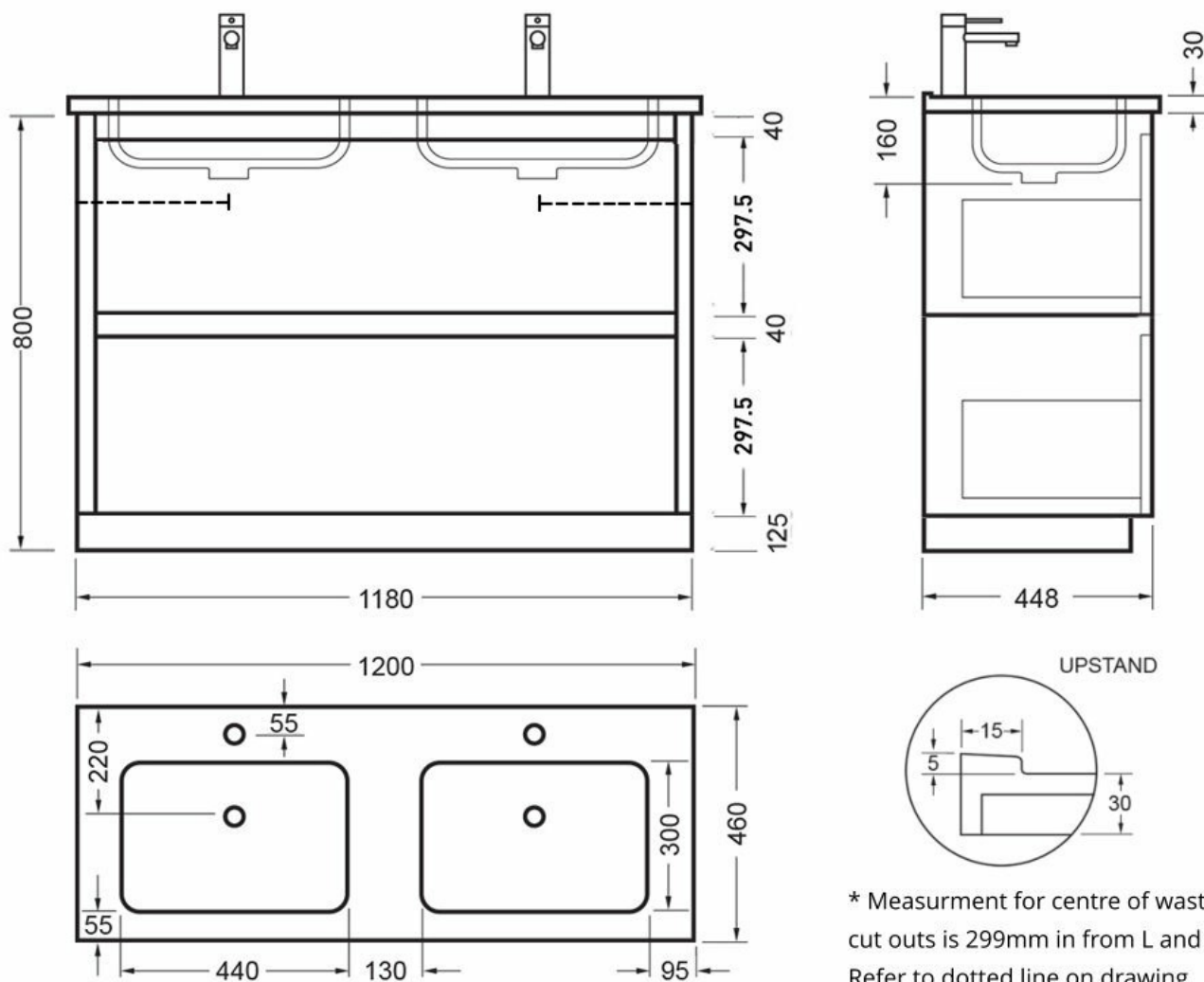


NOVARA FLOOR VANITY 1200 DOUBLE BOWL 2X DRAWER
- SQUARE POLYMARBLE

ELEMENTI



Silica Free

No use of Silica on vanity tops making it safer for you & the family



Residential/Light Commercial Use

Suitable for Residential/Light Commercial Use (Kitchens, Bathrooms and Laundries in Hotels, Motels and Retirement Villages).



Guarantee

5 Year Guarantee



Hafele Lifetime Warranty

All Hafele Hardware comes with a Lifetime Warranty.



Moisture Resistant

Made from Moisture Resistant Board





Soft Close Drawer System

Incorporates Soft Close Drawer and Doors.



Environmental Choice

Product manufactured predominantly from sustainably grown New Zealand plantation pine forests and is Environmental Choice Certified.



Made in New Zealand

Designed & Engineered in New Zealand

Crisp lines, a clean finish and impressive features are what defines the Novara vanity range. To provide more drawer space, a second drawer has been added.