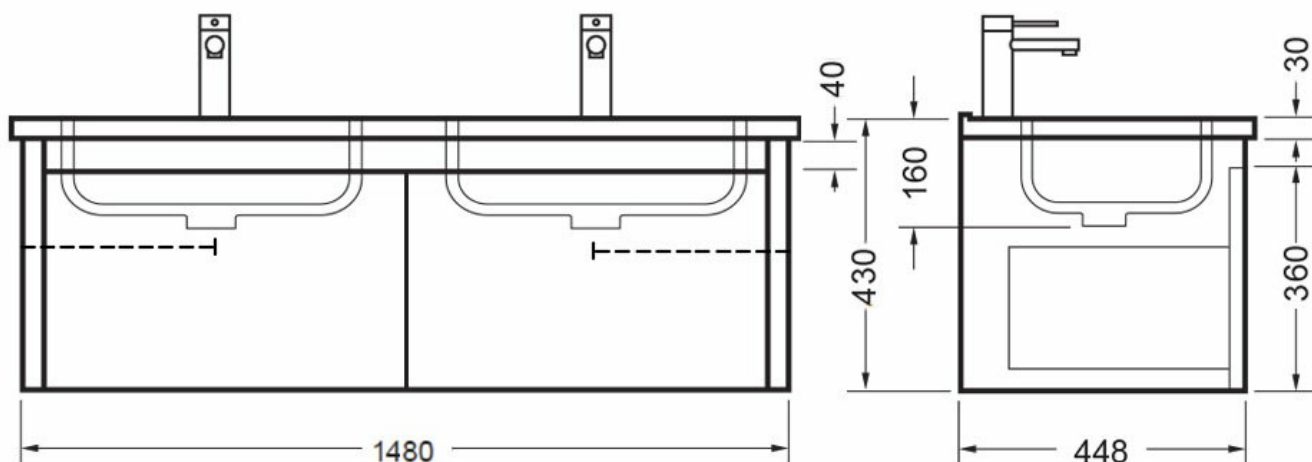
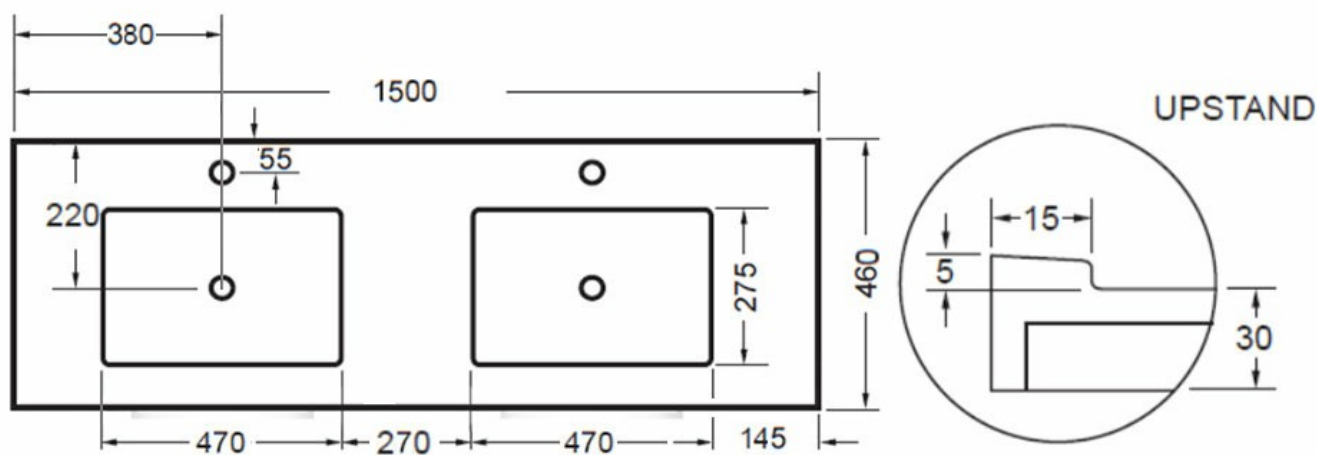


NOVARA WALL VANITY 1500 2XDRAWER 2X BOWL POLYMARBLE

ELEMENTI



* Measurement for centre of waste cut outs is 370mm in from L and R. Refer to dotted line on drawing.



Silica Free

No use of Silica on vanity tops making it safer for you & the family



Residential/Light Commercial Use

Suitable for Residential/Light Commercial Use (Kitchens, Bathrooms and Laundries in Hotels, Motels and Retirement Villages).



Guarantee

5 Year Guarantee (Basin & Cabinet)



Hafele Lifetime Warranty

All Hafele Hardware comes with a Lifetime Warranty.



Delivery

Minimum 15 working days





Moisture Resistant

Made from Moisture Resistant Board



Soft Close Drawer System

Incorporates Soft Close Drawer and Doors.



Environmental Choice

Product manufactured predominantly from sustainably grown New Zealand plantation pine forests and is Environmental Choice Certified.



Made in New Zealand

Designed & Engineered in New Zealand

Crisp lines, a clean finish and impressive features are what defines the Novara vanity range.