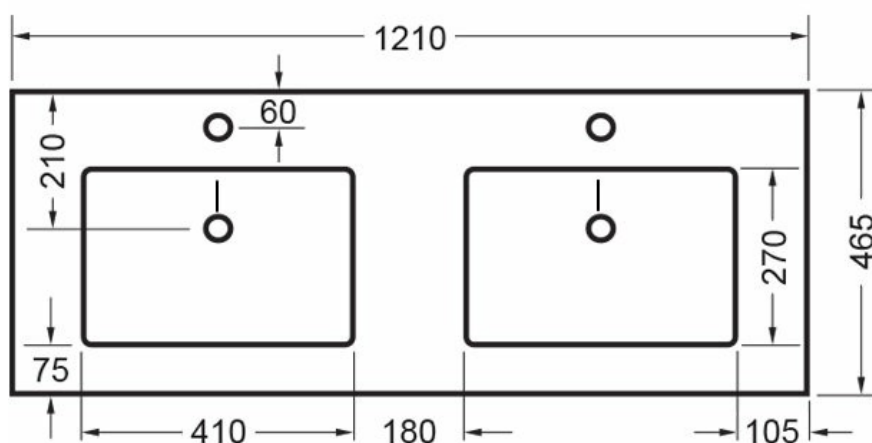
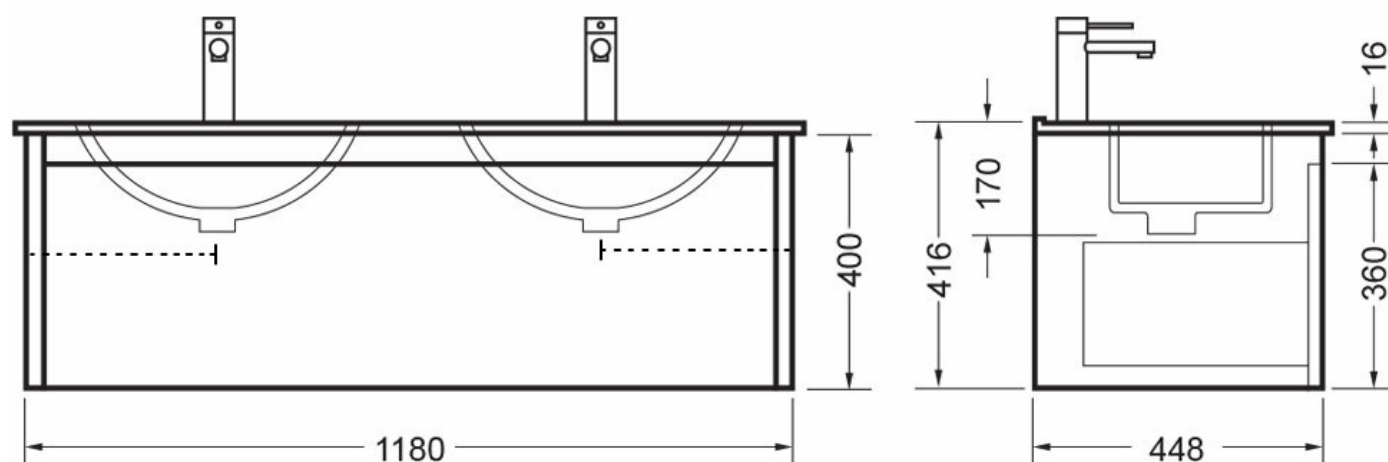


NOVARA WALL VANITY 1200 1XDRAWER 2X BOWL -
CURVED VITREOUS CHINA

ELEMENTI



* Measurement for centre of waste cut outs is 299mm in from L and R. Refer to dotted line on drawing.



Silica Free

No use of Silica on vanity tops making it safer for you & the family



Guarantee

5 Year Guarantee (Basin & Cabinet)



Hafele Lifetime Warranty

All Hafele Hardware comes with a Lifetime Warranty.



Delivery

Minimum 15 working days



Moisture Resistant

Made from Moisture Resistant Board



Soft Close Drawer System

Incorporates Hettich Soft Close Drawer System.





Environmental
Choice

Product manufactured predominantly from sustainably grown New Zealand plantation pine forests and is Environmental Choice Certified.



Made in New
Zealand

Crisp lines, a clean finish and impressive features are what defines the Novara vanity range.