

Neo Freestander

positioning and clearances

The clearances listed below, measured from the **edge of the inner glass**, are minimum clearances unless otherwise stated.

While the heater is operating

The appliance must not be installed where curtains or other combustible materials could come into contact with the heater.

Hearths

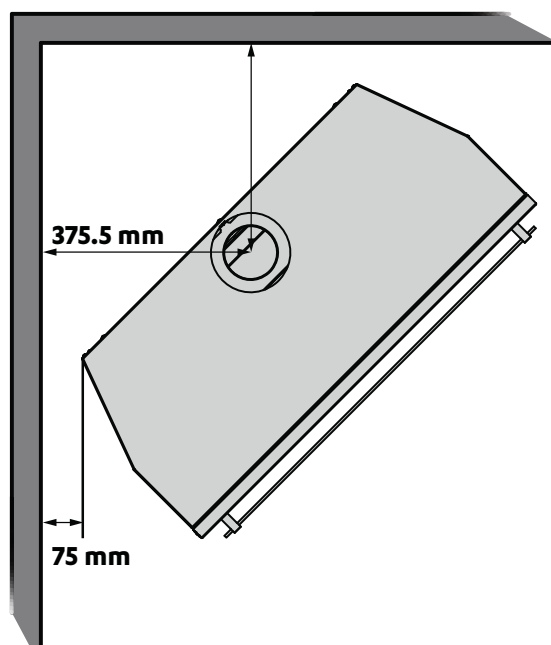
A hearth is not necessary but can be used for decorative purposes or protection of sensitive flooring. A hearth must not obscure the front of the fire.

Floor protection

Heat emanating from this fire may over time affect the appearance of some materials used for flooring, such as, carpet, vinyl, cork or timber. This may be amplified if the air contains cooking vapours or cigarette smoke. To avoid this occurring, it is recommended that a mat be placed in front of this appliance.



Note: Measurements are taken from the edge of the inner glass. The 400 mm side clearance includes side walls.



Neo Freestander

frames and outer panel kits



Stainless inner, black outer frame

Code: R2316

Stainless steel inner and black outer frame, plus glass dress guard.



Stainless inner/trims, black outer frame

Code: R2317

Stainless steel inner and trims, and black outer frame, plus glass dress guard.



Stainless inner and outer frame

Code: R2318

Stainless steel inner and outer frame, plus glass dress guard.



Black inner and outer frame

Code: R2319

Black inner and outer frame, plus glass dress guard.



Freestanding console kit

Code: R2341GL

Black flat pack **console** kit (20 kg), includes the flue spigot. Acts like a zero clearance box by wrapping the Neo engine—isolating the unit from combustible materials. Assembly required.



Freestanding plinth kit

Code: R2342GL

Black flat pack **plinth** kit (21 kg), includes the flue spigot. Acts like a zero clearance box by wrapping the Neo engine—isolating the unit from combustible materials. Assembly required.

Neo Freestander

flueing options

Learn to specify flueing with Rinnai's interactive online Gas Fires Flueing Tool at: <https://rinnai.co.nz/TradeSmart> - click on **Training**.

Important

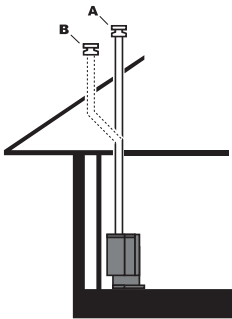
Minimum flue length

This is required to ensure adequate draw and to prevent spill-back of combustion products, which can cause the safety sensors to shut down the fire.

- Minimum flue length before any bends or offsets: 1 m (or one length of flue)
- Minimum vertical length: 3.6 m (or three lengths of flue)

Maximum flue length - 8 m

Rinnai recommend a maximum flue length of 8 m with a maximum of two 45° bends.



A: Freestanding straight vertical

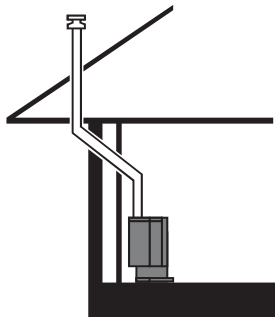
Choose from either the:

- Freestanding galaxy black flue kit R1762GL, or
- Freestanding brushed stainless steel flue kit R1762BS

B: Freestanding vertical offset

Choose from either the:

- Freestanding galaxy black flue kit R1762GL, or
- Freestanding brushed stainless steel flue kit R1762BS
- 45° bends to offset the flue in the roof R1764 x 2



Freestanding vertical with an offset wall penetration

Flue components galaxy black:

- Freestanding galaxy black flue kit R1762GL
- Wall penetration kit black R1766GL

Flue components brushed stainless steel:

- Freestanding brushed stainless steel flue kit R1762BS
- Wall penetration kit galvanised R1766

Neo Freestander flue kits

Freestanding galaxy black flue kit 3.6 m

Code: R1762GL

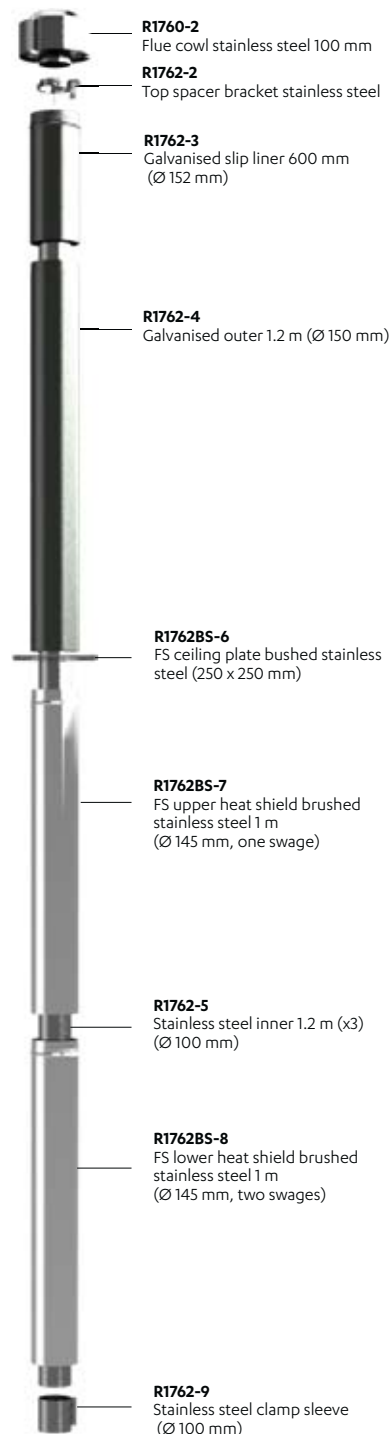
Galaxy black powder coated freestanding flue kit. Black sections of the flue equate to 2 m of flue.



Freestanding brushed stainless flue kit 3.6 m

Code: R1762BS

Brushed stainless freestanding flue kit. Brushed stainless sections of the flue equate to 2 m of flue.

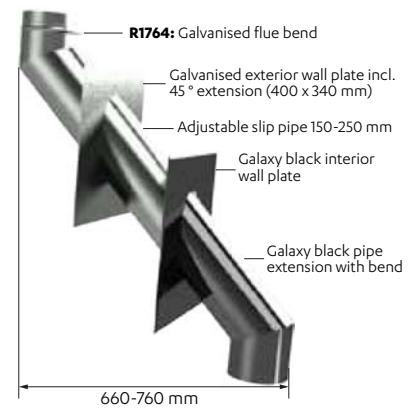


Wall penetration kit galaxy black

Code: R1766GL

For internal to external applications (multi-storey dwelling). Used in conjunction with the freestanding flue kit.

Minimum of one length of flue pipe required before using this kit.

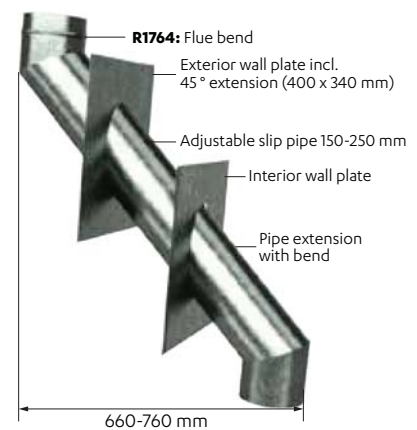


Wall penetration kit galvanised

Code: R1766

For internal to external applications (multi-storey dwelling). Used in conjunction with the freestanding flue kit.

Minimum of one length of flue pipe required before using this kit.



Neo Freestander flue components

1 m flue extension galaxy black

Code: R1763GL

Powder coated galaxy black internal flue extension.



Stainless steel inner 1 m
Galaxy black outer 1m

1 m flue extension brushed stainless steel

Code: R1763BS

Brushed stainless steel internal flue extension. Comes with a protective plastic coating on inner and outer component.



Stainless steel inner 1 m
Brushed SS outer 1m

1 m flue galvanised

Code: R1763Z

Galvanised flue extension for flues exceeding 3.6 m.



Stainless steel inner 1.2 m
Galvanised outer 1.2 m

1.2 m flue stainless steel

Code: R1763SS

Stainless steel flue extension. Recommended for external penetrations through the roof, for locations close to the sea, where traditional flueing may rust.



Stainless steel inner 1.2 m
Stainless steel outer 1.2 m

45 ° bend galaxy black (1)

Code: R1765GL

45 ° bend used for offset applications. Can only be used to offset the flue.

Two bends required per installation—maximum of two per installation.

Inner is stainless steel and outer is powder coated black.

Centre to centre = 150 mm



45 ° bend galvanised (1)

Code: R1764

45 ° bend used for offset applications. Can only be used to offset the flue.

Two bends required per installation—maximum of two per installation.

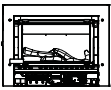




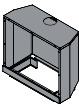
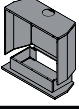
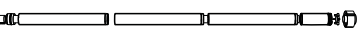

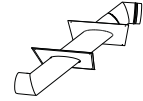
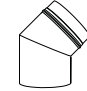
Inner is stainless steel and outer is galvanised.

Centre to centre = 150 mm



Neo Freestander

ordering guide

1. Select gas type (engine)		
	Neo engine universal control NG	RIB2312N
	Neo ETR LPG engine	RIB2312L
The Neo engine comes with; remote control (batteries inserted), operation and installation guides, log set, and gas connection.		
2. Select frame option		
	Stainless steel inner and black outer frame	R2316
	Stainless steel inner and trims, and black outer frame	R2317
	Stainless steel inner and outer frame	R2318
	Black inner and outer frame	R2319
3. Select freestanding kit (outer panels for the engine) MUST HAVE		
	Flat pack console freestanding kit with flue spigot	R2341GL
	Flat pack plinth freestanding kit with flue spigot	R2342GL
4. Determine flueing option and select flue kits and/or flue components		
	Flue kit freestanding galaxy black 3.6 m Flue kit freestanding brushed stainless steel 3.6 m	R1762GL R1762BS
	Flue extension galvanised 1.2 m Flue extension stainless steel 1.2 m Flue extension galaxy black 1 m Flue extension brushed stainless steel 1 m	R1763Z R1763SS R1763GL R1763BS
	Wall penetration kit galvanised Wall penetration kit galaxy black	R1766 R1766GL
	45 ° bend galvanised 45 ° bend galaxy black	R1764 R1765GL
45 ° bends—two bends required per installation. Contains inner, outer, and spacer.		