

# Data Sheet: SNU



- › SNU 5 AU
- › SNU 10 AU



- › Made in Germany
- › Compact design
- › Easy under sink installation
- › Ideal for a single point of use sink, minimises dead legs
- › Rotary dial temperature selection up to 85°C
- › Must be used with specialised STIEBEL ELTRON open vented sink mixer



# SNU

## OPEN VENTED COMPACT STORAGE WATER HEATER

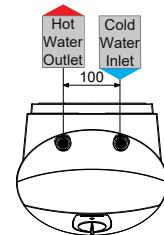
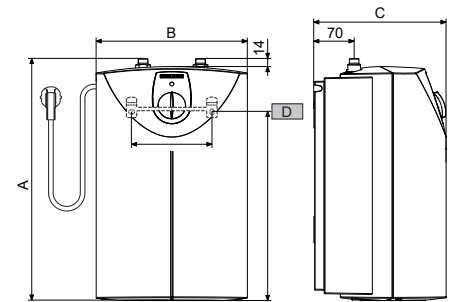
Made in Germany the STIEBEL ELTRON SNU 5 and SNU 10 under sink open vented water heaters deliver hot water quickly to a single sink. These point of use water heaters eliminate long runs of pipework for isolated sinks and reduce the waiting time for hot water to arrive at the outlet.

| Model                                      | PLUS                                |               |
|--|-------------------------------------|---------------|
|  | SNU 5                               | SNU 10        |
|  | <b>229467</b>                       | <b>229468</b> |
| Tank capacity                              | L 5                                 | 10            |
| Rated output (240 V)                       | kW 2.2                              | 2.2           |
| Rated current (240 V)                      | A 9.1                               | 9.1           |
| Connection                                 | 1/N/PE                              | 1/N/PE        |
| Fuse protection                            | A 10                                | 10            |
| Electrical installation                    | As per AS/NZS3000                   |               |
| Installation requirements                  | AS/NZS3500.4.2 & local requirements |               |
| Temperature settings                       | °C 30-85                            | 30-85         |
| Mixed water volume at 40 °C                | L 10                                | 19            |
| Water connection                           | G 3/8 A                             | G 3/8 A       |
| Max. appliance permissible pressure        | kPa 0                               | 0             |
| Max. tapware permissible pressure          | kPa 500                             | 500           |
| Standby energy consumption / 24 h at 65 °C | kWh 0.20                            | 0.32          |
| IP rating                                  | IP24 D                              | IP24 D        |
| Height                                     | mm 421                              | 503           |
| Width                                      | mm 263                              | 295           |
| Depth                                      | mm 230                              | 275           |
| Weight                                     | kg 3.0                              | 4.6           |
| Colour                                     | White                               | White         |
| Approvals                                  | WaterMark Lic No. WMKA00301. AS3498 |               |

The SNU under sink point of use water heater is open vented and must be installed with a STIEBEL ELTRON open vented tap. Not suitable for installation at a basin as a tempering valve or TMV cannot be fitted with this water heater.



SNU



|                            | SNU 5 | SNU 10 |
|----------------------------|-------|--------|
| Height [A]                 | 421   | 503    |
| Width [B]                  | 263   | 295    |
| Depth [C]                  | 230   | 275    |
| Bracket – Height [D]       | 328   | 363    |
| Bracket – Hole Spacing [D] | 140   | 200    |

SNU Dimensions

STIEBEL ELTRON is committed to our policy of continual improvement, some features may have subsequently been changed or even removed. Our advisors will be happy to consult with you regarding the currently applicable equipment features. The images used in this data sheet are for reference only.