

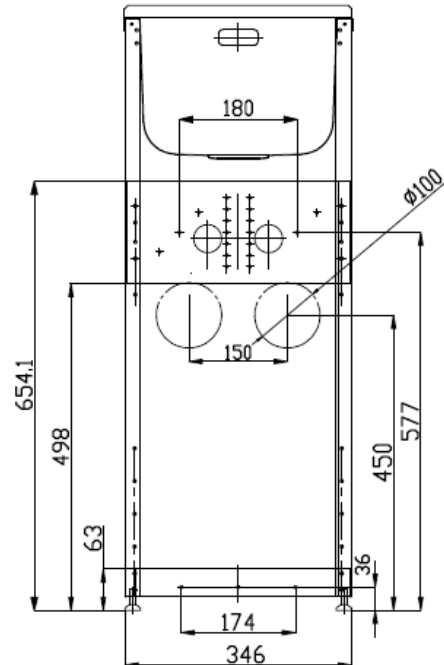
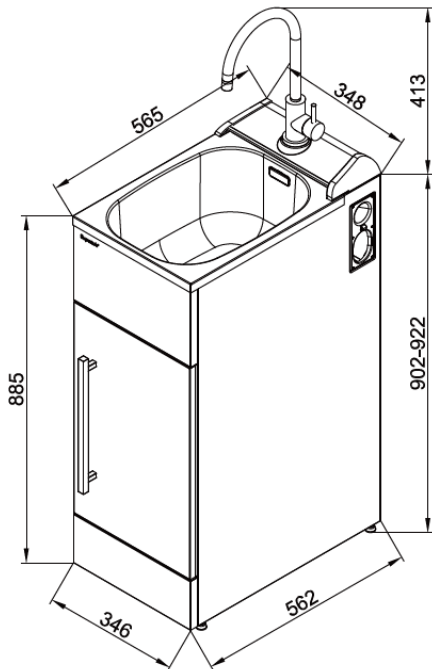
Supertub⁺

Description

SUPERTUB+ Laundry Tub 348mm with Console and Gooseneck Tapware – Lead Free
ST3704SLIM



Dimensions



Dated 18/08/2025

Specifications

Tapware

Tapware type	#304 Stainless Steel Gooseneck Tap – LEAD FREE
WELS rating	5 Stars, 5.5L per minute
Max & Min pressure	Maximum pressure 72.5 PSI (500 kPa); Minimum pressure 22 PSI (150 kPa)
Temperature range	Recommended temperature range 5° to 65°C; Maximum temperature 80°C

Sink

Bowl type	0.8mm polished #304 Stainless Steel
Bowl capacity	20L gross capacity measured to the top; 16L capacity to overflow
Waste type/ discharge flow rate	Modern basket waste/ 52L per minute
Overflow/ Flow rate	Yes, modern overflow design/ 18L per minute

Cabinet

Handle type	1x Square brushed pole handle
Door opening	Reversible, can be either left- or right-hand opening
Internal shelf and floor	Yes
Maximum height of items can be stored	Top: 210mm; Bottom: 410mm
Adjustable levelling feet	Yes
Side apertures for hoses	Yes, on both sides
Washing machine taps and shut-off valves isolators	Yes, hidden
Washing machine waste pipe	Separate
Cabinet colour/finish	Satin white powder coated
Cabinet material	0.6mm galvanized steel

Dimensions & Weights

Product dimensions (mm)	W348*D565*H902-922
Carton dimensions (mm)	W368*D585*H965
Gross/Net weight (Kg)	17/14

Warranty

Tapware & Cabinet	2 years on parts & labour from the date of purchase
Sink	5 years on parts & labour from the date of purchase