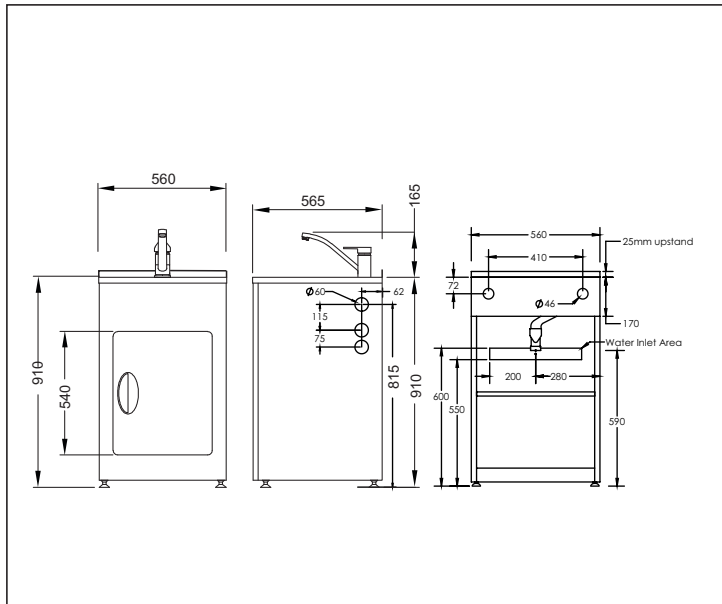


# Aquatica Laundry Tubs

## Studio560

aquatica



**Code: STUDIO560** Stainless Steel top with Sink Mixer

- Robust long-life powder-coated galvanised steel cabinet
- Pressed seamless laundry tub with anti-drip lip
- Recessed door handle
- Reversible door
- Door storage basket
- Magnetic door catches
- Metal waste with lint strainer
- 20 year warranty on stainless steel bowl and ceramic cartridge
- Height easily adjustable via feet (approximately 15mm adjustment)
- Designer overflow capacity greater than 25 l/min
- Standard tap height approximately (≈) 165mm
- Waste outlet 590mm to 605mm from the ground depending on height adjustment on feet
- 5 year warranty on Laundry Tub cabinet and Single lever mixer
- **Area Allowed for Water Inlet Location:**
  - Maximum Height (from floor): 600mm
  - Minimum Height (from floor): 550mm
  - Recommended Height (from floor): 575mm
  - Maximum Width (from Centre line):  $\pm$  200 mm

**Note:** Inlets can be anywhere in this area provided they do not interfere with trap or waste line

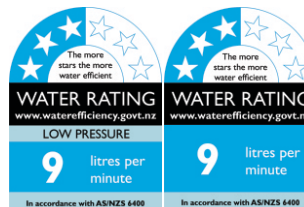


KIWI OWNED COMPANY

NZ • DESIGNED  
• ASSEMBLED  
• TESTED

**Suitable for low/unequal & mains pressure systems**

Recommended Operational Pressure Range: 35 - 600 kPa  
Maximum Operating Temp: 80°C Never to Exceed: 1000 kPa



**Please note:** Specifications are subject to change without notice. It is the responsibility of the installer to check the measurements of the physical product before installation