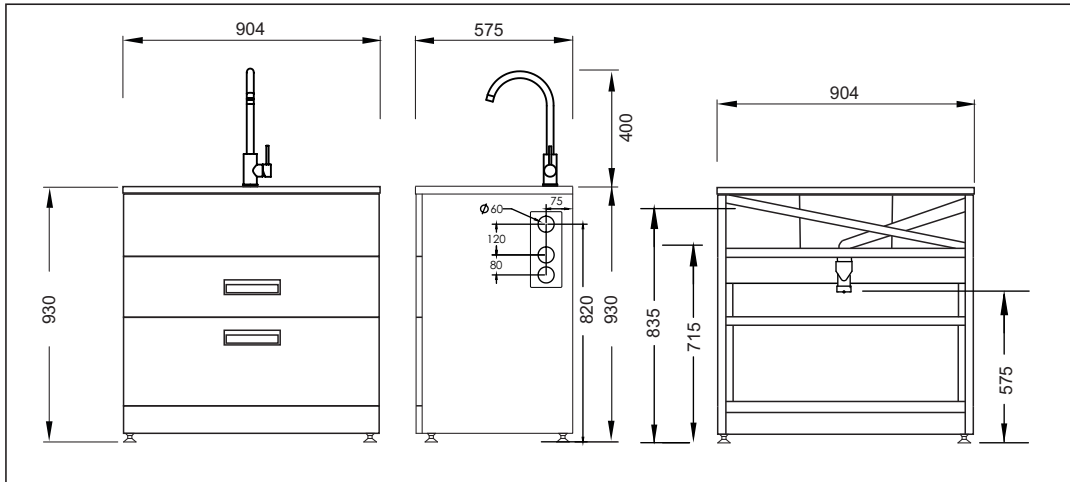


Aquatica Laundry Tubs

Studio900 CT Viamo

aquatica



Included:

Code: AQ LT900 DRAWER ORG

Optional:

Code: AQ LT900 SPLASHBACK

Code: STUDIO900 CT VIAMO

- Robust long-life powder-coated galvanised steel cabinet with rear diagonal brace
- Composite Top with undermount stainless steel bowl
- 5 year warranty on all pressure mixer and Laundry tub cabinet
- Height easily adjustable via feet (approximately 15mm adjustment)
- Viamo Sink Mixer Gooseneck
- Top drawer 75% extension quality runners
- Full extension quality drawer runners on lower drawer to allow full access to buckets
- Recessed metal drawer handles
- 2 Handy storage buckets
- Wire drawer Basket
- 20 year warranty on stainless steel bowl and ceramic cartridge
- Hot and Cold isolators with dual capped outlets (15mm and 20mm)
- Bowl size: 500 (L) x 400 (W) x 220 (D)
- Designer overflow capacity greater than 25 l/min
- Standard tap height approximately (≈) 400mm
- Waste outlet approximately 575mm to 590mm from ground depending on height adjustment on feet
- **Area Allowed for Water Inlet Location:**
 - Maximum Height (from floor): 835mm
 - Minimum Height (from floor): 715mm
 - Recommended Height (from floor): 780mm
 - Maximum Width (from Centre line): ± 175mm

Note: Inlets can be anywhere in this area provided they do not interfere with trap or waste line

Suitable for low/unequal & mains pressure systems

Recommended Operational Pressure Range: 35 - 600 kPa
Maximum Operating Temp: 70°C Never to Exceed: 1000 kPa



KIWI OWNED COMPANY

NZ • DESIGNED
• ASSEMBLED
• TESTED

Please note: Specifications are subject to change without notice. It is the responsibility of the installer to check the measurements of the physical product before installation