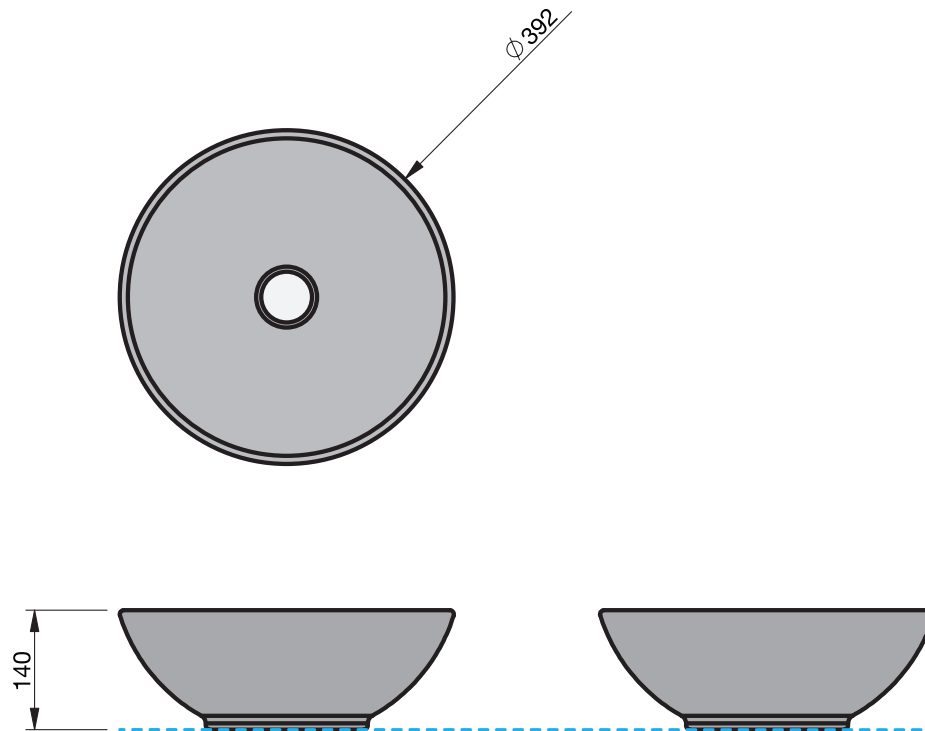


BASIN SPECIFICATION

Sfera



Product Features

Type of basin	Vessel
Material of basin	Ceramic
Capacity of basin	8 litre
Overflow Configuration	No Overflow
Colour options	White (Matte), White (Gloss), Black (Matte)

- The basin must be sealed to the top with an acetic cured silicone sealant.
- Epoxy type sealants must not be used.

INDICATES TOP SURFACE -----

IMPORTANT NOTE: Throughout this guide, dimensions may vary by ± 10 mm. Please read the installation manual for detailed information on installing the product. St. Michel pursues a policy of continuing improvement in design and manufacturing of its products. The right is therefore reserved to vary specifications without notice.

Date edited:

10 / 02 / 2021

01 / 04