

Taps

MES MEW MESG-G

SNU open vented water heater must be installed with STIEBEL ELTRON open vented tapware.

OPEN VENTED SINK MIXERS TO USE WITH SNU

Model	MES	MEW	MES-G
Article Number	232389	232392	232391
WELS rating L	3 star	3 star	3 star
Maximum flow rate kW	8 L/min	8 L/min	8 L/min

- › Suitable for use with the Stiebel Eltron SNU and SNE under sink compact storage point of use water heater
- › PLEASE NOTE: The SNU/SNE under sink point of use water heaters are open vented and must be installed with a Stiebel Eltron open vented tap
- › All tapware is fitted with a flow straightener. Please note mesh type aerators are not to be fitted to the outlet of the tap



MES-G



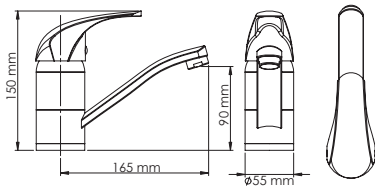
MEW



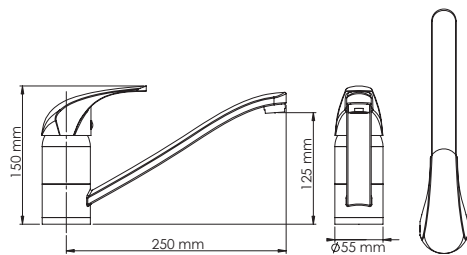
MES



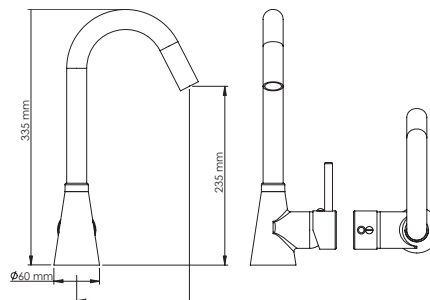
MEW single lever short spout sink mixer



MES single lever standard spout sink mixer



MES-G single lever gooseneck sink mixer



STIEBEL ELTRON is committed to our policy of continual improvement, some features may have subsequently been changed or even removed. Our advisors will be happy to consult with you regarding the currently applicable equipment features. The images used in this data sheet are for reference only.