

# SLATEFORMA SHOWER TRAY 900X900

## CORNER WASTE



<b>FINISH</b>	Slate textured gel coat
<b>MATERIAL</b>	Mineral composite
<b>WIDTH (mm)</b>	900
<b>DEPTH (mm)</b>	900
<b>HEIGHT (mm)</b>	25
<b>WASTE POSITION</b>	Corner
<b>ORIGIN</b>	PRC

### NOTES

- 10 year warranty\*
- All measurements are nominal.
- Colour variations, irregular texture, and mottled appearance of the shower tray surface are to be expected due to the nature of the materials and contemporary design. This is most apparent in Anthracite (slate dark grey).
- Included - 30mm Aluminium upstands fitted on specified sides (see Technical Specifications)
- Included - Easy Clean Waste
- Included - colour matched Athena waste cover

### PRODUCT CODES & FINISHES



Anthracite  
SLATE DARK GREY



Chalk  
SLATE WHITE



Stone  
SLATE LIGHT GREY

Anthracite  
SLATE DARK GREY

Chalk  
SLATE WHITE

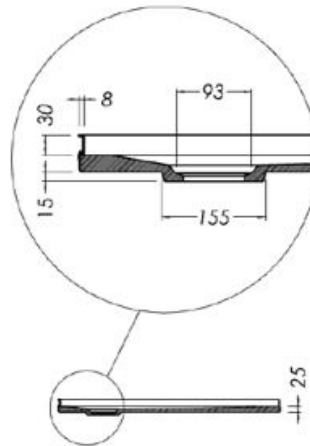
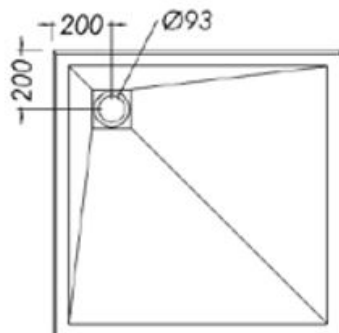
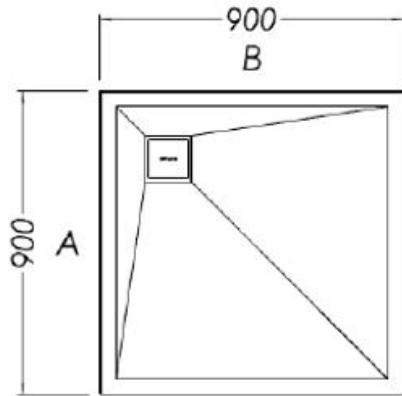
Stone  
SLATE LIGHT GREY

2 sided (AB upstands)

TRSFAN99L

TRSFCH99L

TRSFST99L



FEBRUARY 2024

ALL MEASUREMENTS ARE NOMINAL  
 \*WARRANTIES APPLY TO RESIDENTIAL DOMESTIC USE ONLY. WARRANTY VOID IF PRODUCT IS NOT INSTALLED ACCORDING TO OUR SPECIFICATIONS.  
 \*\*FOR FURTHER INFORMATION ON BIPR, INSTALLATION GUIDE AND PRODUCT OPTIONS PLEASE REFER TO THE WEBSITE.