

SLATEFORMA SHOWER TRAY 900X900

CORNER WASTE



FINISH	Slate textured gel coat
MATERIAL	Mineral composite
WIDTH (mm)	900
DEPTH (mm)	900
HEIGHT (mm)	25
WASTE POSITION	Corner
ORIGIN	PRC

NOTES

- 10 year warranty*
- All measurements are nominal.
- Colour variations, irregular texture, and mottled appearance of the shower tray surface are to be expected due to the nature of the materials and contemporary design. This is most apparent in Anthracite (slate dark grey).
- Included - 30mm Aluminium upstands fitted on specified sides (see Technical Specifications)
- Included - Easy Clean Waste
- Included - colour matched Athena waste cover

PRODUCT CODES & FINISHES



Anthracite
SLATE DARK GREY



Chalk
SLATE WHITE



Stone
SLATE LIGHT GREY

Anthracite
SLATE DARK GREY

Chalk
SLATE WHITE

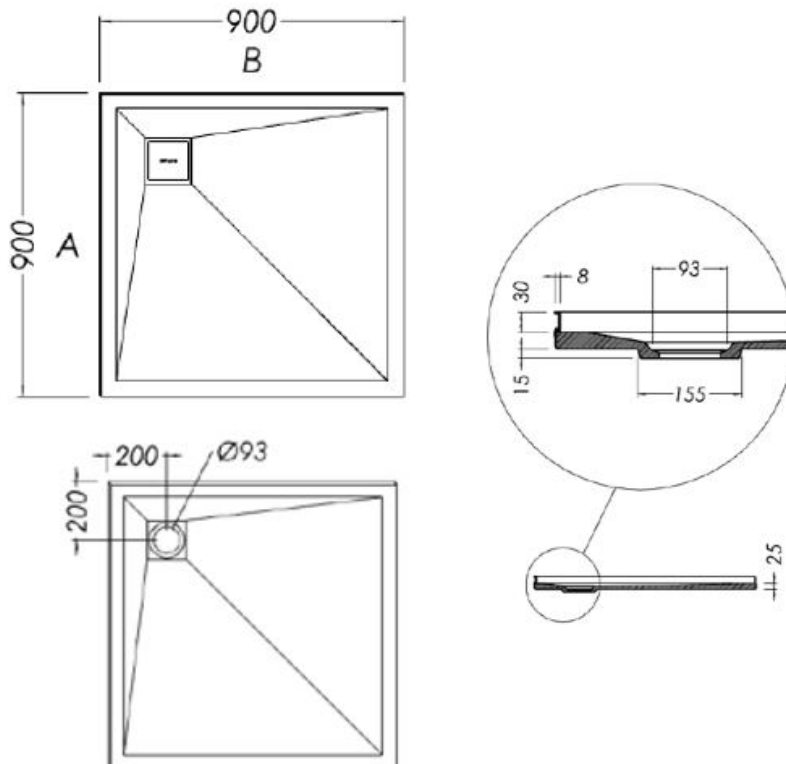
Stone
SLATE LIGHT GREY

2 sided (AB upstands)

TRSFAN99L

TRSFCH99L

TRSFST99L



FEBRUARY 2024

ALL MEASUREMENTS ARE NOMINAL
 *WARRANTIES APPLY TO RESIDENTIAL DOMESTIC USE ONLY. WARRANTY VOID IF PRODUCT IS NOT INSTALLED ACCORDING TO OUR SPECIFICATIONS.
 **FOR FURTHER INFORMATION ON BIPR, INSTALLATION GUIDE AND PRODUCT OPTIONS PLEASE REFER TO THE WEBSITE.