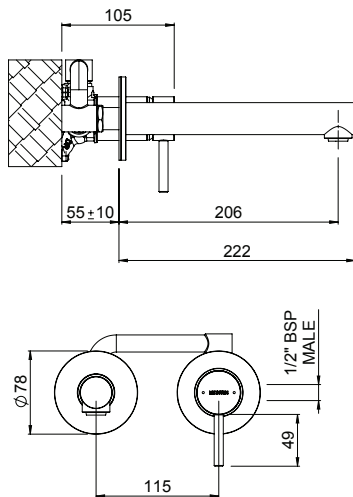


TŪROA WALL MOUNTED MIXER WITH SPOUT

STAINLESS STEEL AND LEAD FREE BRASS

These high quality, high strength, corrosion resistant materials are lead free, therefore preserving water quality for both consumption and bathing.



CONSTRUCTION: Stainless steel, brass and plastic

CARTRIDGE TYPE: Ceramic

CLASSIFICATION: Suitable for mains/high pressure only

INLET CONNECTIONS: 1/2" BSP Male

WORKING PRESSURE: 150 - 1000kPa

OPERATING TEMPERATURE: 5 °C - 80 °C

WATER FLOW RATE: Basin: approx 6.5L/min; Bath: Unrestricted

- Stainless steel and lead free brass
- Modern minimalist aesthetic
- Ceramic cartridge
- 20mm of installation tolerance
- Quick-fit spout connector
- Built to last
- 4 star WELS rated on mains pressure (6.5 L/min)

TUWBSS

Stainless Steel

<http://www.methven.com/nz/turoa-wall-mounted-mixer>