

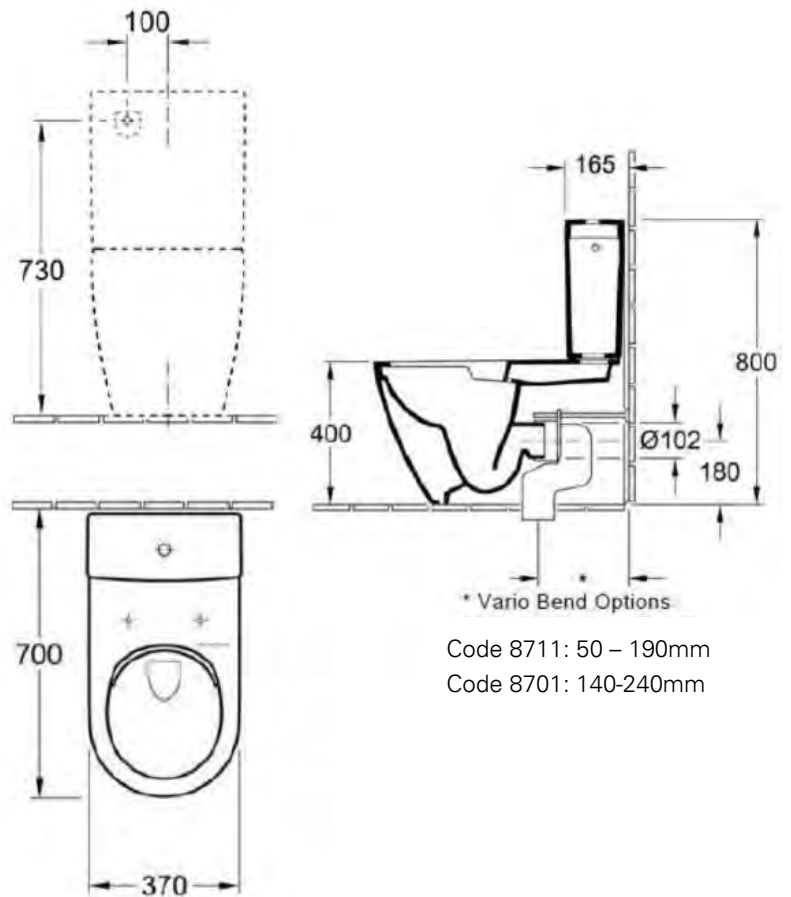
VILLEROY & BOCH

SUBWAY 2.0

BACK TO WALL TOILET SUITE

PATERSON

NEW ZEALAND 1955



BRAND / MODEL	Villeroy & Boch Subway 2.0 – Back to Wall Toilet Suite
CODE	5617C11SS
SPECIFICATIONS	5617C11SS- Rear inlet Direct Flush Soft Close Seat Universal S or P trap – P trap set out 180mm, S trap set out 50 – 190mm Cost optional S trap outlet available if required for 140 – 240mm centre) (code: 8701W, not supplied)
ADDITIONAL INFORMATION	German dual flush mechanism; Rapid & extremely quiet fill valve; High quality seat & cover; Concealed rear water inlet; Featuring Villeroy & Boch DirectFlush; Rimless technology
WELS RATING	4 Stars. 4.5 Litres per full flush, 3 Litres per half flush
ADDITIONAL INFORMATION	5 Years*