
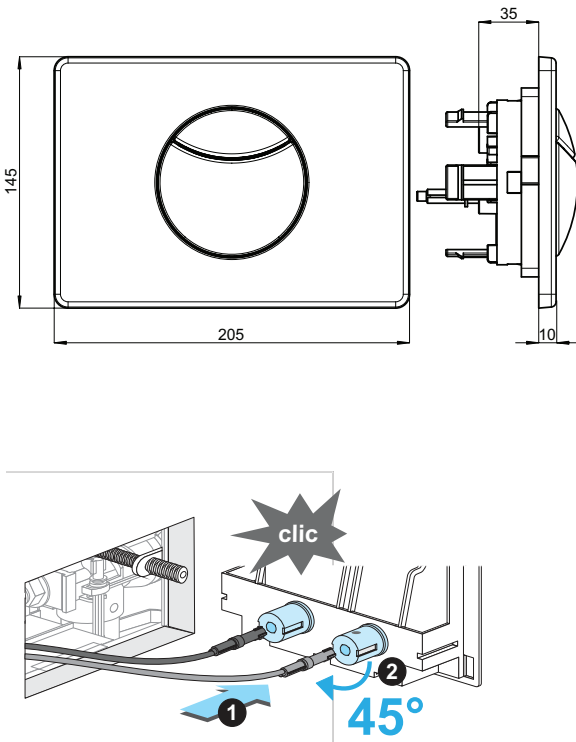


# VICONNECT E100 FLUSHPLATE

Product Image	Technical Specification
 <p>CHROME</p> <p>WHITE</p> <p>SATIN</p>	

Description	
ViConnect E100 Flushplate	
<p><b>92248561</b></p> <p><b>92248568</b></p> <p><b>92248569</b></p>	<p>Chrome</p> <p>White</p> <p>Satin</p>

Additional Information
<ul style="list-style-type: none"> <li>• Qwik Clic Cable Technology</li> <li>• Suit ViConnect In Wall Cisterns</li> <li>• 5 Year Warranty *Conditions Apply</li> </ul>
